

S80SM / S100SM / S125SM

OPERATING MANUAL

Xenon Lamp Strobe Light with Magnet

Thank you for purchasing Q.Light product. Please read this manual carefully before installing this product for safe and long use.

1 Product Feature

- Suitable for a bright place and a signal transfer for a long distance with a strong strobe signal light.
- Having a strong magnetic that can be attached or detached freely along to vehicle surface.
- Easy to change its lamp by taking a connector type lamp.
- Material : Lens-AS, Body-ABS
- Flashes : 60-80/Min.
- Protection Class : IP54

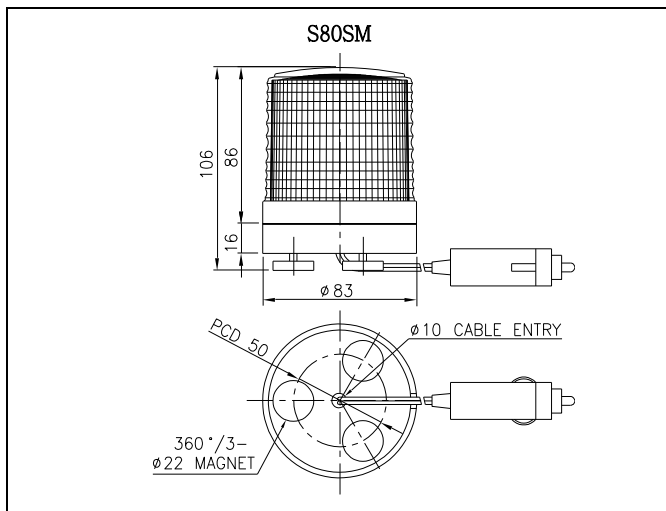
2 Specification & External View Drawing

1) S80SM

▪ General Specification

Model	Rated Voltage	Current	Weight	Flashes	Color
S80SM	DC12V	0.433A	0.26Kg	60~80/min.	RED-R AMBER-A GREEN-G BLUE-B
	DC24V	0.216A	0.26Kg		

▪ External View Drawing

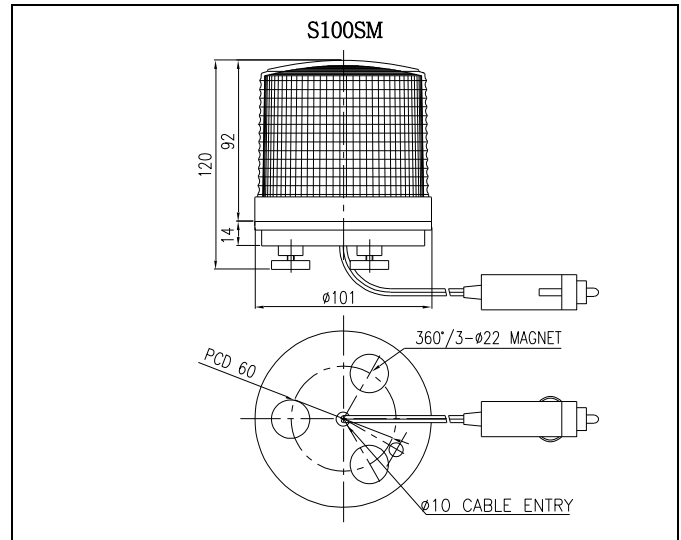


2) S100SM

▪ General Specification

Model	Rated Voltage	Current	Weight	Flashes	Color
S100SM	DC12V	0.722A	0.34Kg	60~80/min.	RED-R AMBER-A GREEN-G BLUE-B
	DC24V	0.388A	0.34Kg		

▪ External View Drawing

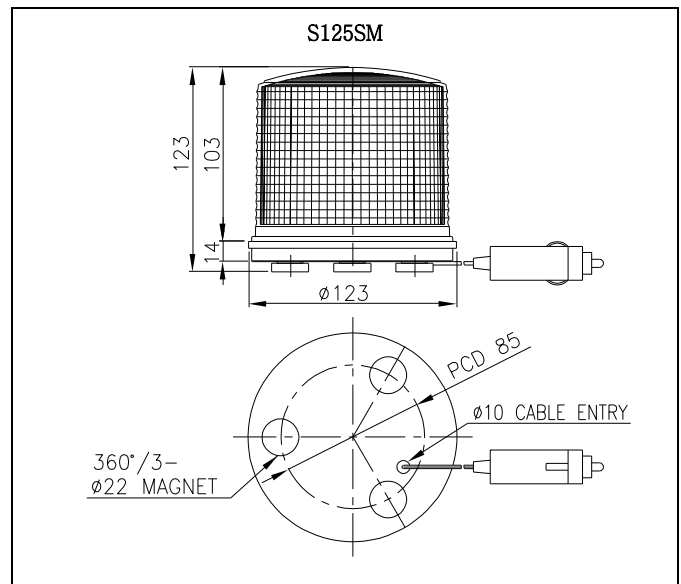


3) S125SM

▪ General Specification

Model	Rated Voltage	Current	Weight	Flashes	Color
S125SM	DC12V	0.722A	0.42Kg	60~80/min.	RED-R AMBER-A GREEN-G BLUE-B
	DC24V	0.388A	0.42Kg		

▪ External View Drawing



3 Wiring Instruction

- This item is consist with IEC42(0.75sq) X2P wire 2000mm and ciggy jack plug for vehicle.
- Working light after connecting a ciggy jack plug to the ciggy jack in your vehicle.

4 Mounting

This item has a strong magnetic at the bottom to attach anywhere which conduct magnetism. If you attach this on the vehicle's roof, it attached smoothly with a strong magnetic along to vehicle's body.

5 Bulb change

1) Warning!

Must turn off power supply and change bulb after 1 minute at least.

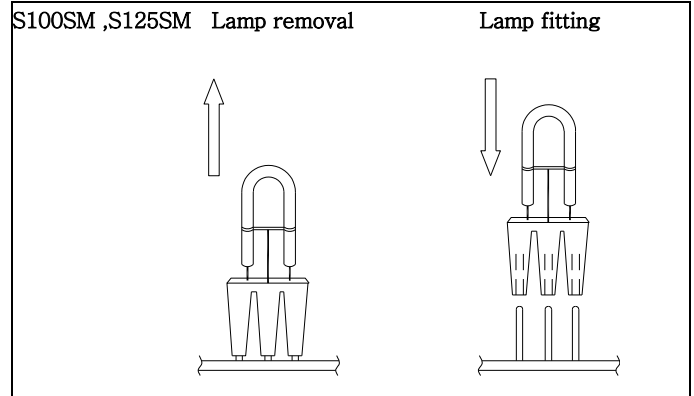
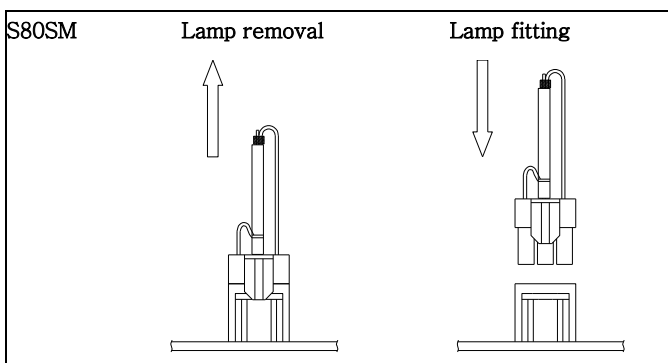
- Xenon lamp work with a high voltage, if you touch a assembling board or lamp without power-off, you may receive an electric shock.

2) Lens Removal

Remove lens by turning it counterclockwise. and make sure related parts on the assembling board.

3) Change Lamp

- Our company's xenon lamp (1) is made as a connector type lamp. If you pull out with a small strength, it can be separated easily.
- Please fit the lamp by checking a connector pin location (2) as below picture.



4) Lens Assembling

Assemble the product in reverse order of separating.

6 Caution

- If using voltage is seriously higher or lower than rated voltage, it can reduce the self-life of the product or can cause a problem on product operating. Make sure the using voltage does not exceed +/-5% of the rated voltage.
- If lens or body of the product is contaminated by chemicals such as thinner, benzene, the product can be damaged, discolored or deformed. Please be careful.
- Do not give strong impact to the product. It can be a reason of wire disconnection or short circuit.
- Do not strongly pull the wire out from the product. It can cause a disorder.

7 Troubleshooting

Situation	Main reason	Solution
Lamp non-working	Damage on Lamp	Change Lamp
	Lamp connector badness	re-connecting Lamp connector
	No Power Supply	Making Sure Power Supply
Strobe working irregularly.	Supplying Voltage Lower than Rated Voltage	Making Sure Using Voltage

— For A/S & Information on Product

Q-LIGHT CO., LTD.

<http://www.qlightkr.com>

E-mail : qlightkr@qlightkr.com

Overseas Marketing Team /Plant

Tel) 055-328-4082 Fax) 055-328-4083

178-1 Woogye-Ri, Sangdong-Myun, Kimhae-Si,
KyungNam, Korea